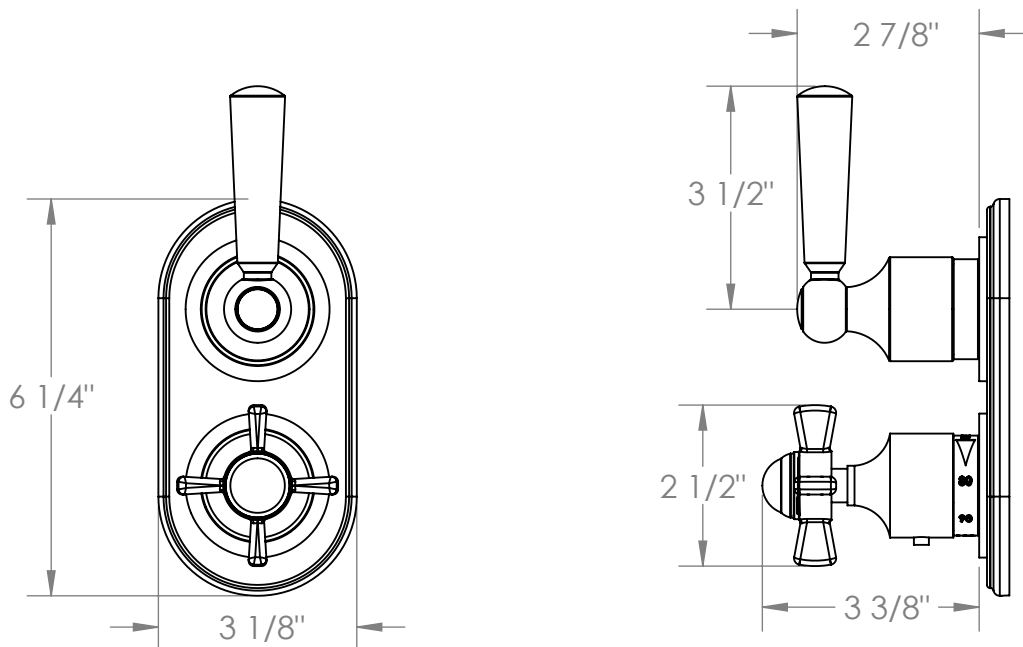
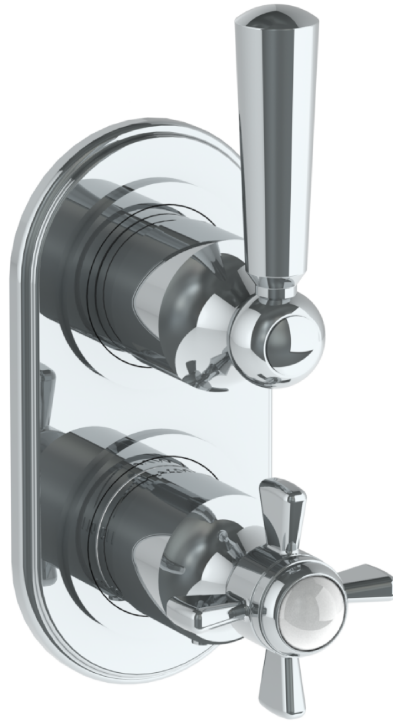


## 206-T25-S1A

Wall Mounted Mini Thermostatic Shower Trim with built-in control  
For use with SS-TH60 or SS-TH70 concealed rough



Meets the applicable requirements of ASME A112.18.1-2005/CSA B125.1-05, entitled "Plumbing Supply Fittings"

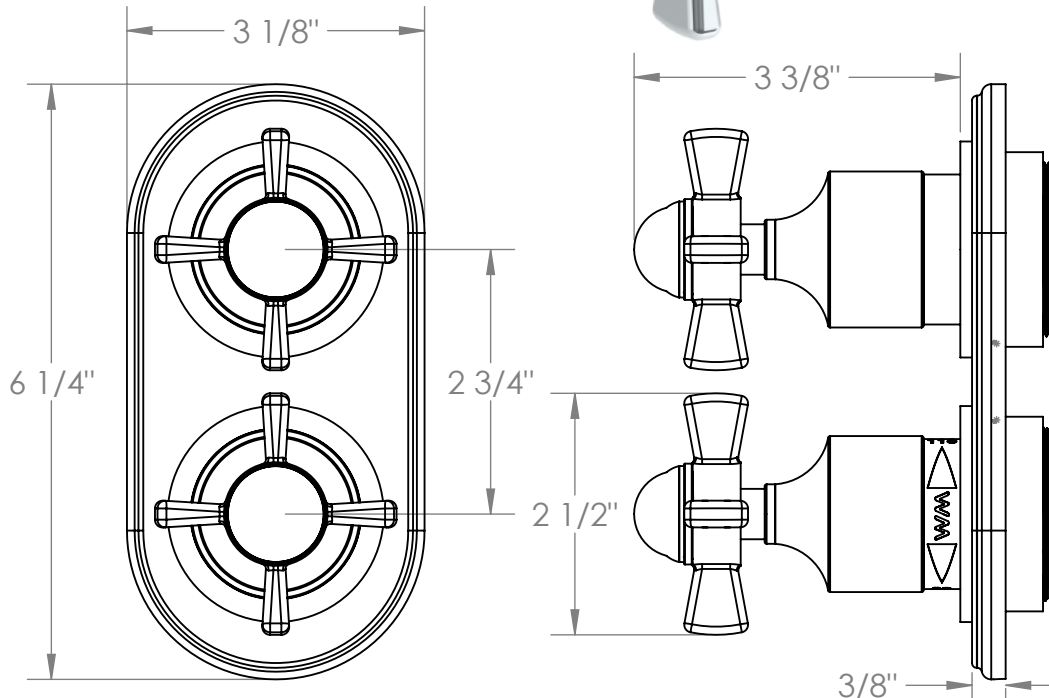
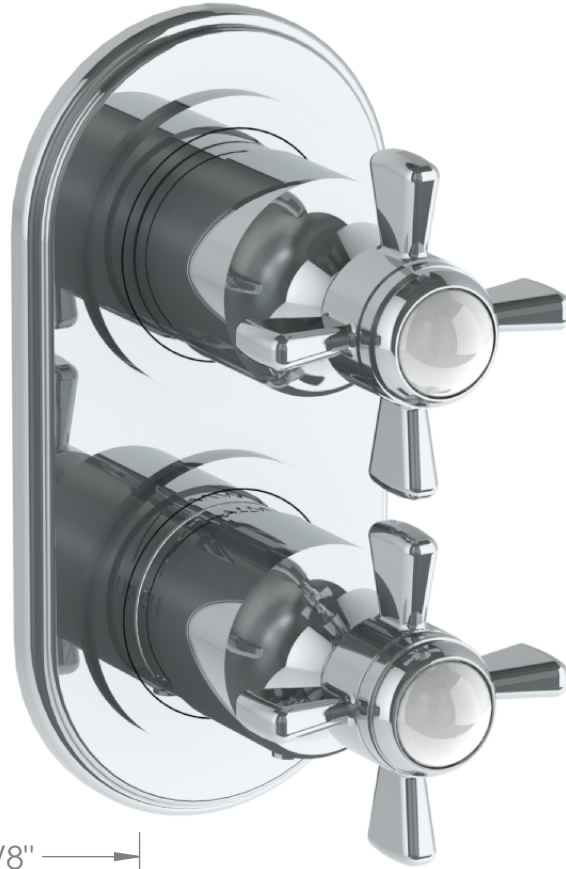
**WATERMARK** DESIGNS 9/10/2019

350 Dewitt Ave Brooklyn NY 11207 USA T 718 257 2800 F 718 257 2144 info@watermark-designs.com

## 206-T25-S1

Wall Mounted Mini Thermostatic Trim Kit with Built-In Control

For use with SS-TH60, SS-TH70, and SS-TH80 concealed rough



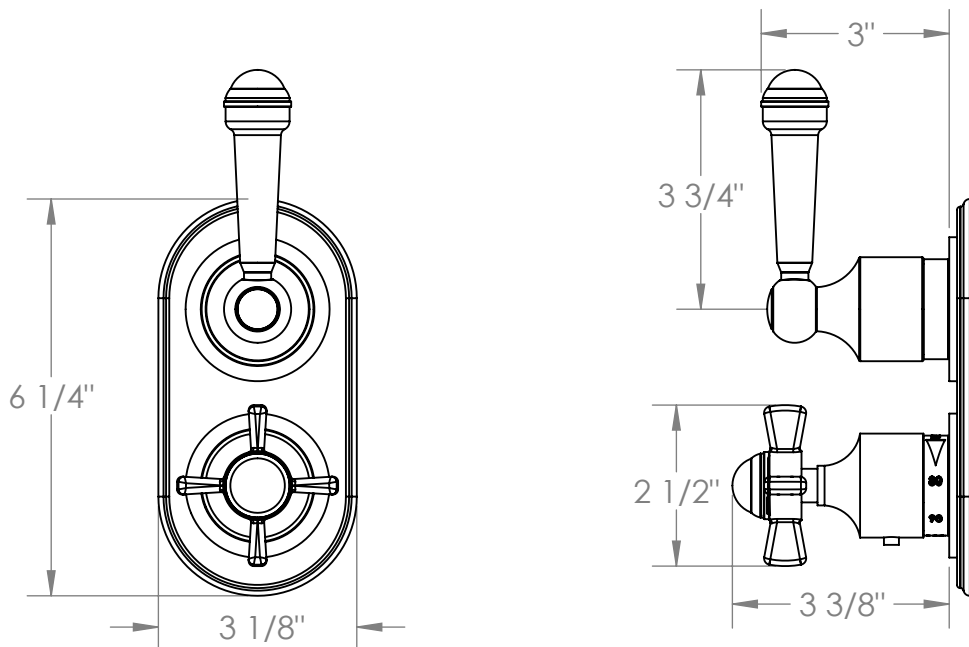
Meets the applicable requirements of ASME A112.18.1-2005/CSA B125.1-05, entitled "Plumbing Supply Fittings"

# **WATERMARK** DESIGNS 5/4/2020

350 Dewitt Ave Brooklyn NY 11207 USA T 718 257 2800 F 718 257 2144 info@watermark-designs.com

## 206-T25-S2

Wall Mounted Mini Thermostatic Shower Trim with built-in control  
For use with SS-TH60 or SS-TH70 concealed rough



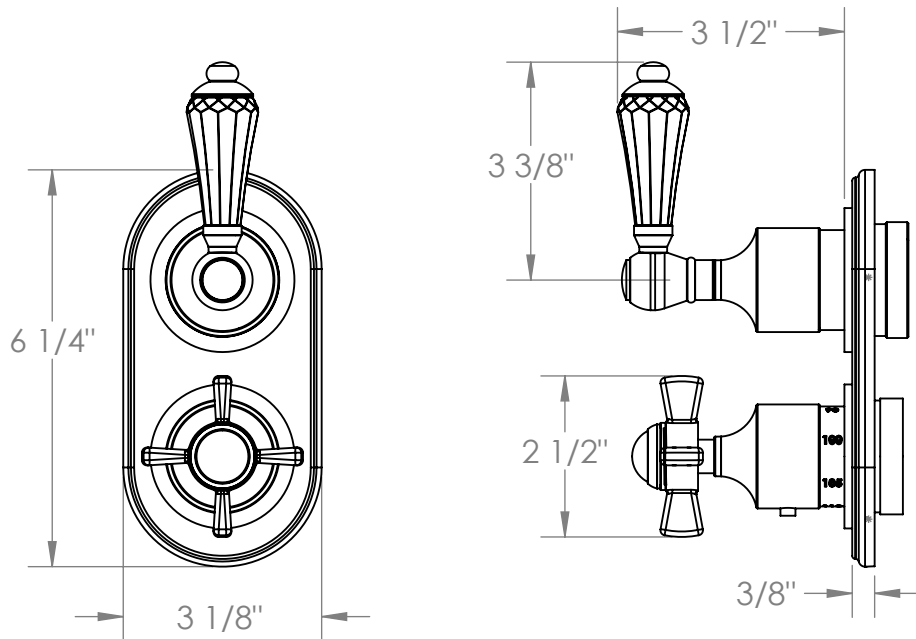
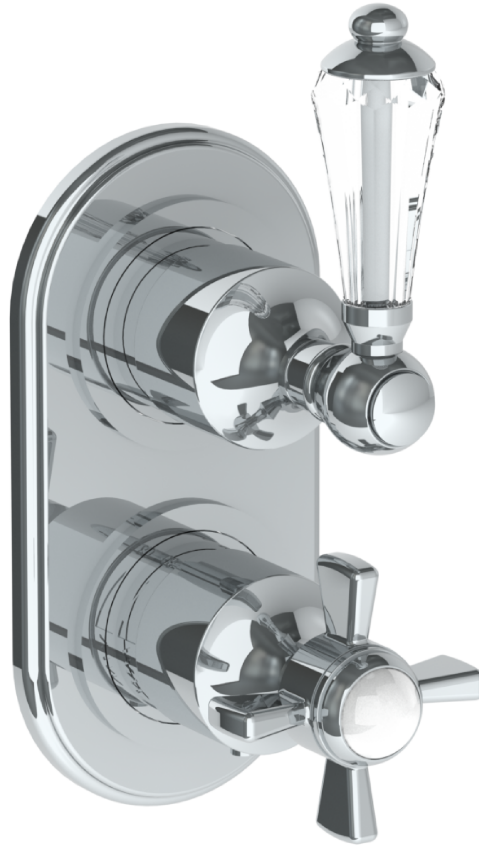
Meets the applicable requirements of ASME A112.18.1-2005/CSA B125.1-05, entitled "Plumbing Supply Fittings"

**WATERMARK** DESIGNS 9/10/2019

350 Dewitt Ave Brooklyn NY 11207 USA T 718 257 2800 F 718 257 2144 info@watermark-designs.com

## 206-T25-SWA

Wall Mounted Mini Thermostatic Trim Kit with Built-In Control  
For use with SS-TH60 or SS-TH70 concealed rough



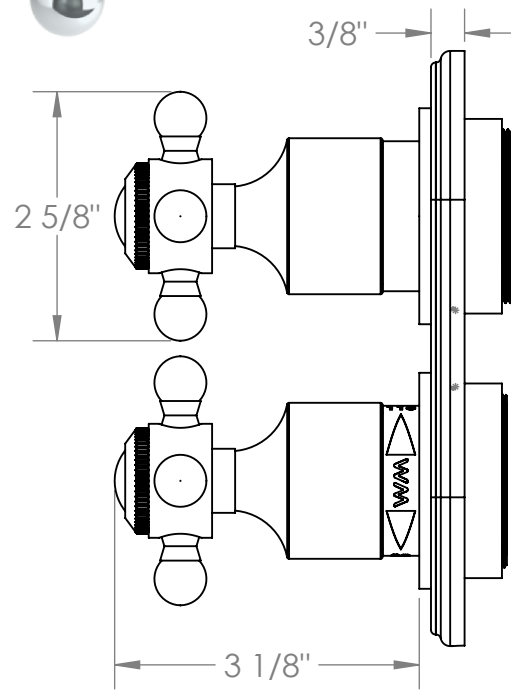
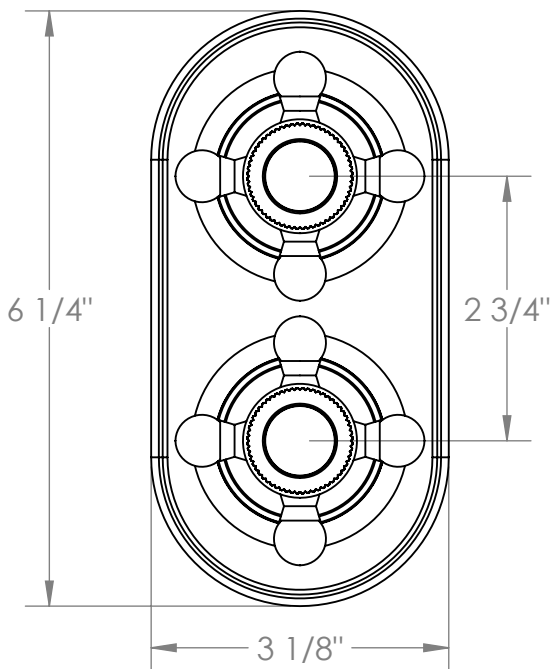
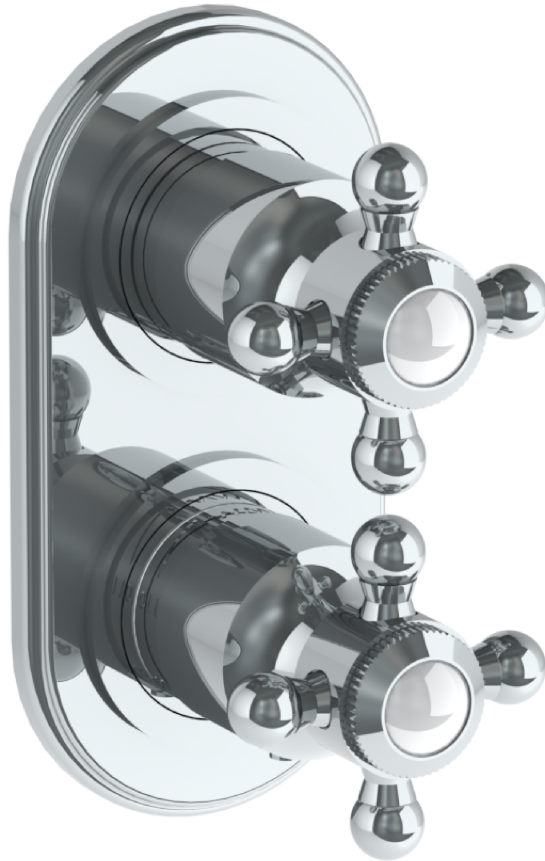
Meets the applicable requirements of ASME A112.18.1-2005/CSA B125.1-05, entitled "Plumbing Supply Fittings"

**WATERMARK** DESIGNS 4/27/2020

350 Dewitt Ave Brooklyn NY 11207 USA T 718 257 2800 F 718 257 2144 info@watermark-designs.com

## 206-T25-V

Wall Mounted Mini Thermostatic Trim Kit with Built-In Control  
For use with SS-TH60, SS-TH70, or SS-TH80 concealed rough



Meets the applicable requirements of ASME A112.18.1-2005/CSA B125.1-05, entitled "Plumbing Supply Fittings"

**WATERMARK** DESIGNS 4/27/2020

350 Dewitt Ave Brooklyn NY 11207 USA T 718 257 2800 F 718 257 2144 info@watermark-designs.com